

P.I.T.

GCS45-C5



GASOLINE CHAIN SAW
ПИЛА ЦЕПНАЯ БЕНЗИНОВАЯ

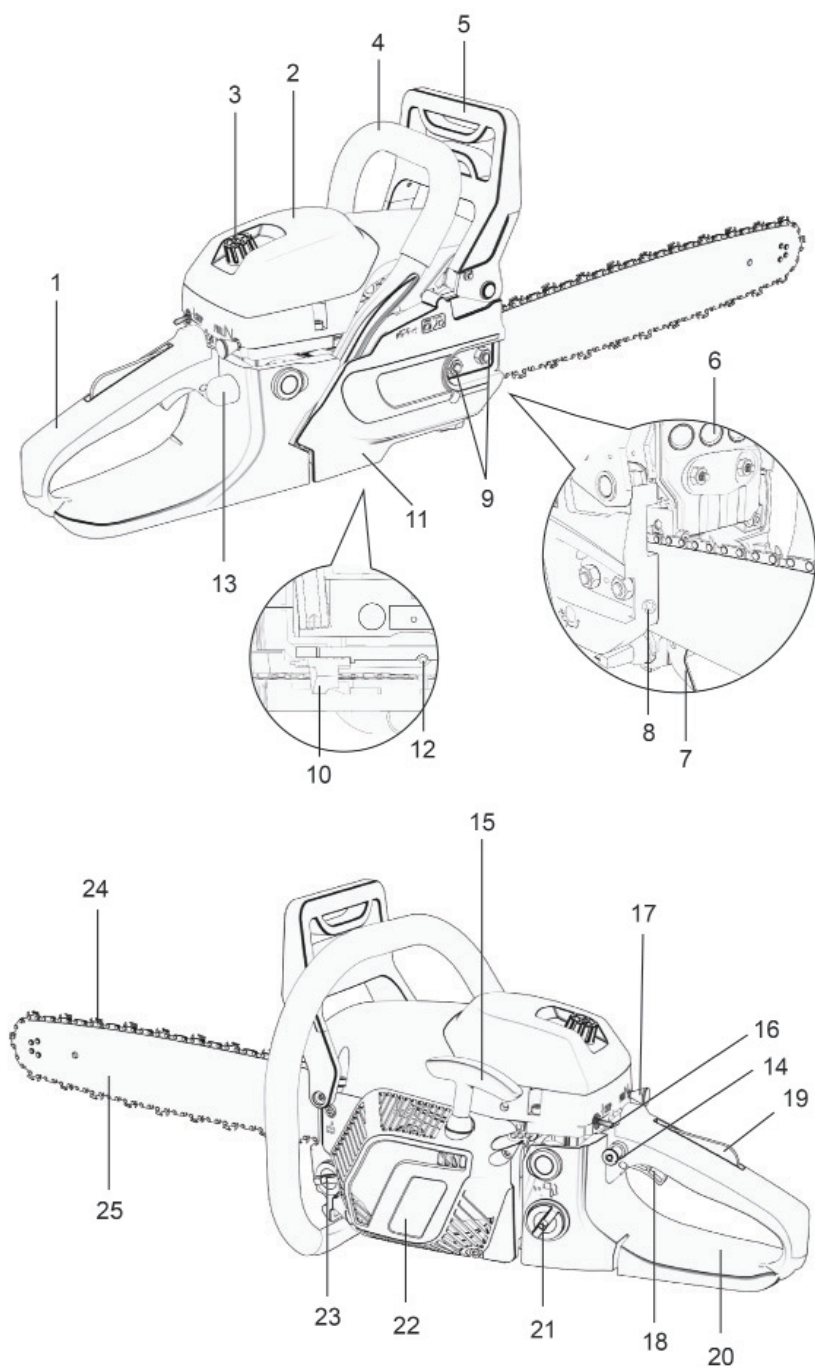
2000W

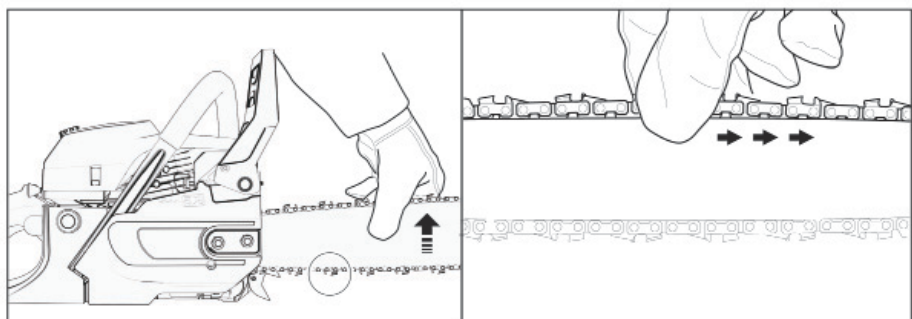
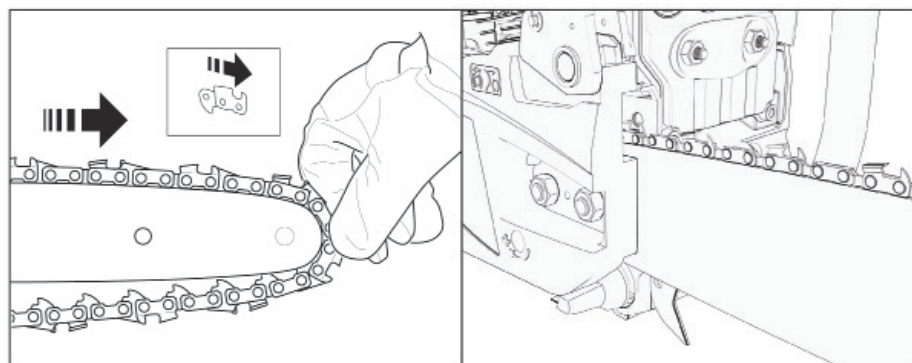
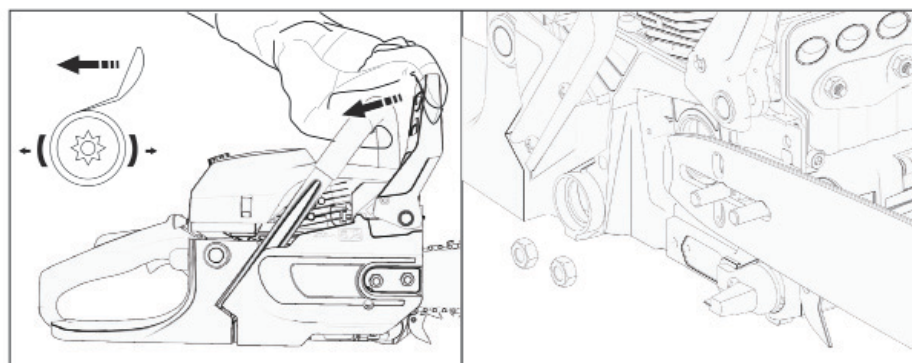
**Powerful
Efficient**

Please read the instruction manual carefully before use!

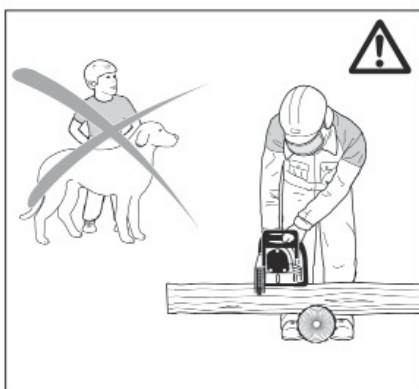
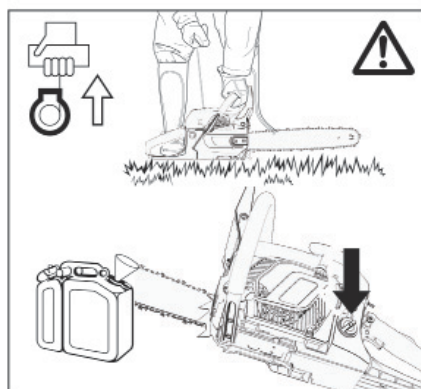
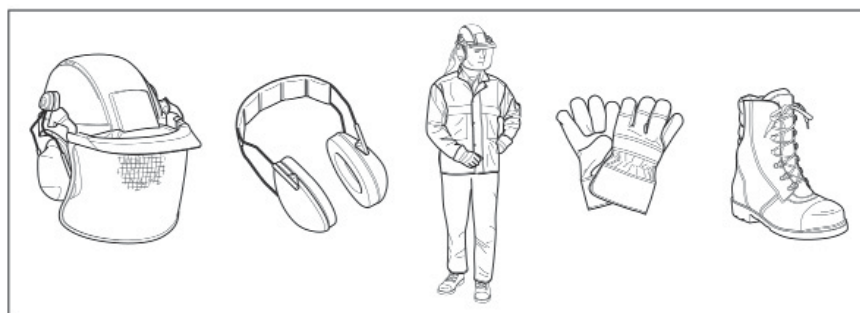
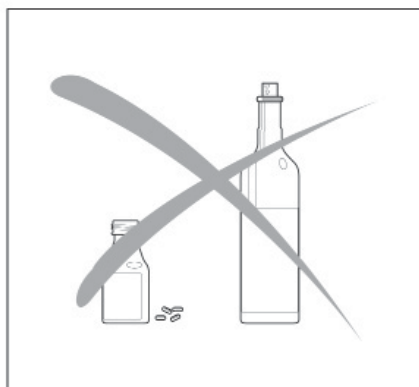
Пожалуйста, внимательно прочтите инструкцию перед использованием!

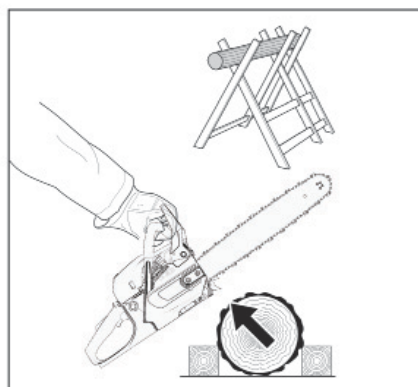
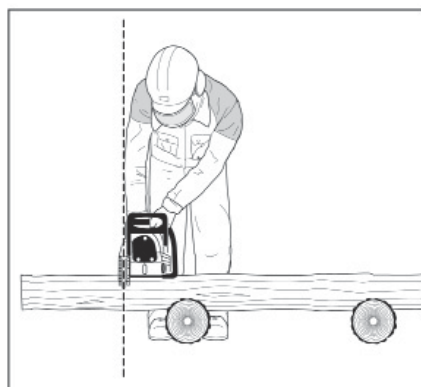
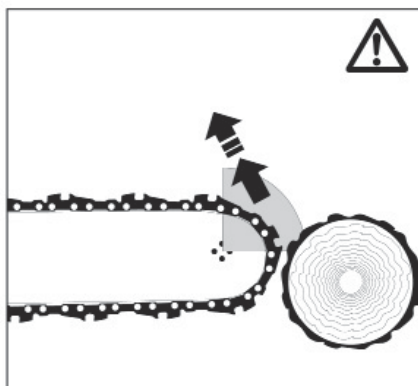
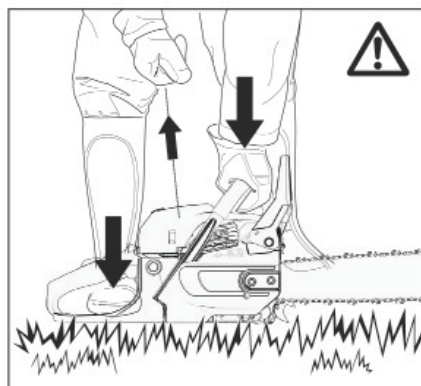


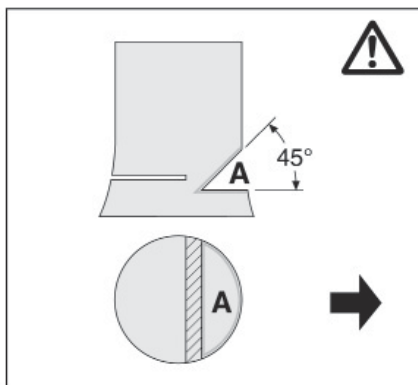
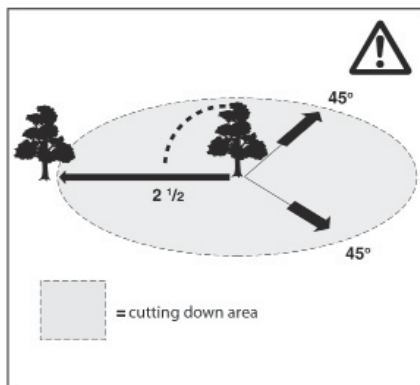
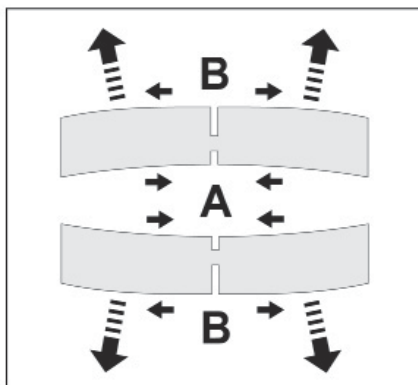
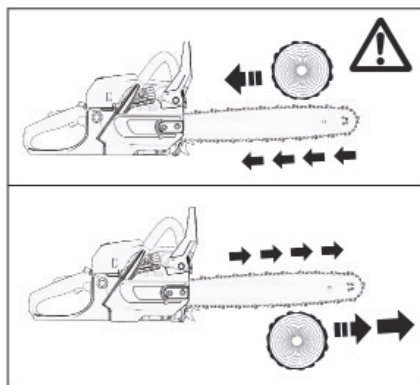
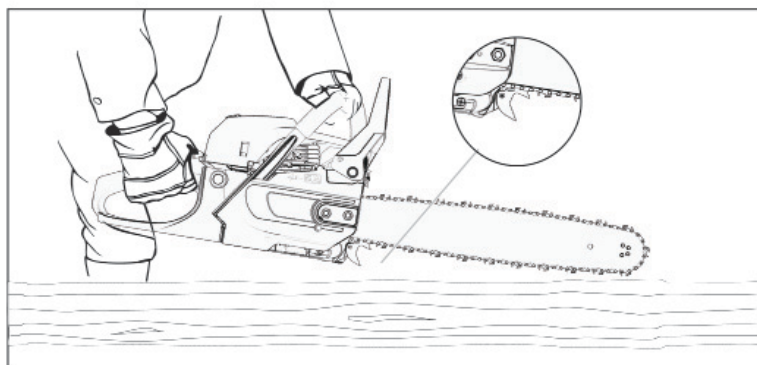


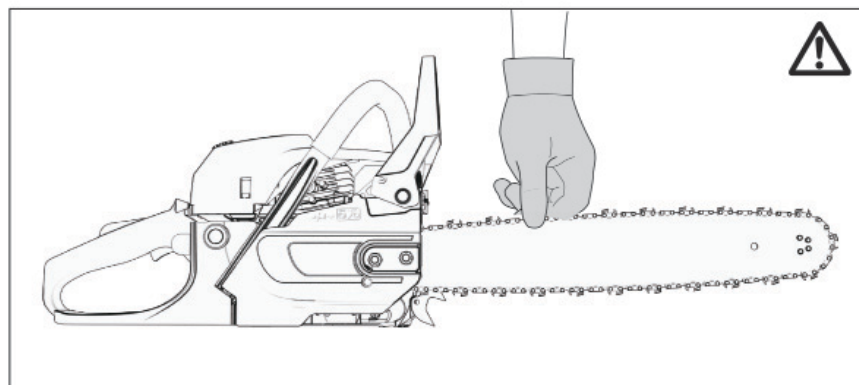
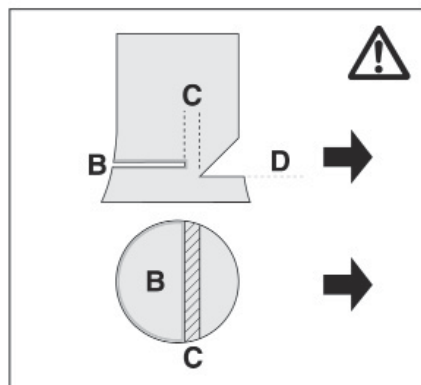


Safety precautions









English

General safety instructions



WARNING Read all safety warnings and all instructions.

For your safety and the safety of others, please read this information carefully before using the chain saw. Use the chain saw only for sawing wood. Any other use can be dangerous and cause injury. The manufacturer is not responsible for damage caused by improper use of the tool.

- ▶ **Please read and follow the instructions in this manual carefully.** Pay attention to safety signs and follow safety instructions. Failure by the operator to follow instructions and signs could result in injury, injury, or death.
- ▶ **Do not throw away this manual.** Follow the instructions for assembly, use and care of the product. Use these instructions to properly install attachments and accessories. Use only approved attachments and accessories.
- ▶ **Do not use a damaged product. Observe the maintenance schedule.** Only carry out maintenance work yourself as described in this manual. All other maintenance work must be carried out by an authorized service center.
- ▶ **Disconnect the spark plug cable before assembling, storing, or servicing the product.**
- ▶ **Do not use the product if its original specifications have been changed.** Changes to the product design are prohibited. Use only parts recommended by the manufacturer. Improper maintenance can result in injury or death.
- ▶ **Do not inhale engine exhaust fumes.** Prolonged inhalation of engine exhaust fumes, chain oil vapors and wood dust is hazardous to health.
- ▶ **Do not run the product indoors or near flammable materials.** Exhaust gases are hot and may contain sparks, which in turn can cause a fire. Inadequate ventilation can result in injury or death from suffocation or carbon monoxide poisoning.
- ▶ **It is not allowed to operate the saw by persons who are not familiar with these operating instructions, children, adolescents, as well as persons under the influence of alcohol, drugs or medication.**
- ▶ **Chainsaw operation requires great care.**

- ▶ **Work should only be carried out in normal physical condition.** In addition, fatigue leads to decreased focus. It is forbidden to work if you feel unwell. You should be especially vigilant when using it at the end of the working day, all work operations should be carried out calmly and deliberately. The operator is responsible for the safety of unauthorized persons.
- ▶ **It is not possible to include all situations that may arise while using the product in this manual.** Be careful and use common sense. If you are unsure of the situation, do not use or service the product. Contact your product specialist, dealer, service technician, or authorized service center for the information you need.

Individual protection means

- ▶ **Always use appropriate protective equipment when operating the product.** Personal protective equipment reduces the severity of injuries in accidents, but does not completely eliminate them.
 - ▶ **Clothing should fit the body, that is, should fit snugly to the body, but not hinder movement.** No jewelry or clothing should be worn that could catch on bushes or branches. Sweep long hair.
 - ▶ **In all forestry work, a safety helmet should be worn to protect against falling branches.** The helmet should be checked regularly for damage.
 - ▶ **To protect your hearing, personal noise protection equipment (ear muffs, ear muffs, etc.) should be worn.** Prolonged exposure to noise can impair hearing.
 - ▶ **Use safety goggles or a face mask to reduce the risk of injury from thrown objects.** The product can throw objects such as sawdust and wood chips with great force. This can lead to serious injury, including the eyes.
 - ▶ **Wear coarse, non-slip protective gloves for better grip and protection from cold and vibration.**
 - ▶ **Use sturdy safety boots or closed toe boots with non-slip soles.**
 - ▶ **Pants should not be too wide, no cuffs; they should either be tucked into the tops of the boots or shortened.**
 - ▶ **Always carry a first aid kit with you.**
- ### Safe handling of fuel
- ▶ **Turn off the engine and cool the saw before refueling.**

- ▶ **Do not smoke while refueling and when working with the chainsaw.** Do not smoke near fuel storage areas, do not approach them with sources of open flames or sparks.
- ▶ **Do not start the product if it has been spilled with fuel or engine oil.** Remove any foreign fuel / oil and allow the product to dry.
- ▶ **If fuel spills on your clothing, change it immediately.**
- ▶ **Do not allow fuel to come into contact with the body, as it may be harmful to health.** If fuel gets on your body, wash it off with soap and water.
- ▶ **Do not start the engine with oil or fuel spilled on the product or body.**
- ▶ **Do not start the product if there is a leak from the engine.** Check the engine regularly for leaks.
- ▶ **Be careful when handling fuel.** Fuel is flammable liquid with explosive vapor and can cause serious or fatal injury.
- ▶ **Do not inhale fuel vapors, as this can be harmful to health. Make sure there is sufficient air flow.**
- ▶ **Do not add fuel while the engine is running.**
- ▶ **Make sure the engine is completely cool before refueling the product.**
- ▶ **Before refueling, slowly open the fuel filler cap and carefully release the pressure.**
- ▶ **Do not pour fuel into the engine indoors.** Inadequate ventilation can result in injury or death from suffocation or carbon monoxide poisoning.
- ▶ **Tighten the fuel tank cap carefully to prevent fire.**
- ▶ **Move the product at least 3 m away from the fueling point before starting it up.**
- ▶ **Do not add too much fuel to the fuel tank.**
- ▶ **Make sure no leakage occurs when moving saw or fuel container.**
- ▶ **Do not place chainsaw or fuel container near open flames, sparks, or burning wicks.** Make sure there is no open flame in the storage area.
- ▶ **Fuel cannot be stored indefinitely.** Only buy the amount of fuel that should be used as planned.
- ▶ **Both fuel and chain oil should only be transported and stored in specially designated and marked containers.** Children

should be prevented from accessing these substances.

- ▶ **Clean the product before storing it for a long time.**
- ▶ **Drain fuel from the fuel tank before storing the product for a long time.** Observe local regulations regarding where fuel is disposed of.
- ▶ **Remove the spark plug cable before storing the product to prevent accidental starting of the engine.**

Start-up safety

- ▶ **Do not work alone, just in case someone must be nearby (within earshot).**
- ▶ **The combustion engine chain saw must not be used in the vicinity of human habitation.** Make sure that there are no bystanders in the area where the saw is being used. Animal access should also be prevented.
- ▶ **Before starting the saw, check that it is working perfectly and that it is in good condition.** Pay particular attention to the following: chain brake action, chain sharpening and chain tension, brake cover securely, smooth operation of the throttle lever and blocking of this lever. Check that the handles are clean and dry for health and safety reasons and that the START / STOP switch is working correctly.
- ▶ **The saw should only be started after complete assembly and inspection.** Using a fully equipped tool should be the rule.
- ▶ **The operator must be in a stable position before starting.**
- ▶ **The saw should only be started in the order specified in the maintenance instructions.** Any other way of launching is unacceptable.
- ▶ **When starting, the saw should be supported securely and held firmly.** Both the blade of the chain and the chain itself must not touch anything.
- ▶ **During operation, hold the saw with both hands: with the right hand for the rear handle, and with the left for the arc handle.** The grips should be gripped with a firm grip on the palm and thumb.
- ▶ **WARNING:** after releasing the throttle lever, the cutting chain will still move for a while (inertia effect).
- ▶ **You should constantly pay attention to a stable position.**
- ▶ **The saw should be held in such a way as not to inhale the exhaust fumes.** Do

not work in closed rooms (danger of poisoning).

- ▶ In the event of a noticeable interruption in the operation of the saw, it should be turned off immediately.
- ▶ Turn off the engine before checking the tension of the cutting chain for tension, replacement or troubleshooting.
- ▶ If the saw blade strikes a stone, nail, or similar hard object, turn off the engine immediately and check the device. The entire chain saw must be checked to ensure that it is in good working order in the event of forceful influences such as impacts or falls!
- ▶ During breaks in work, the saw should be switched off and positioned so that it does not endanger anyone's safety.



WARNING: do not place a highly heated saw on dry grass or flammable objects. The exhaust silencer is a source of very high temperatures (fire hazard).

- ▶ **WARNING:** Oil dripping from the cutting chain and blade after turning off the saw is harmful to the environment, therefore an appropriate pad should be used.

Throwing away the saw

- ▶ When using the chain saw, the saw kickback phenomenon may occur.
- ▶ This can happen if the top of the end of the blade inadvertently touches a tree or other hard object.
- ▶ In this case, the saw will be thrown uncontrollably with great force towards the operator. Risk of injury! To avoid this, observe the following instructions: Sawing (direct sawing of wood with a saw blade) must only be carried out by a specially trained person!
- ▶ Always observe the position of the end of the cutting chain blade. Be careful when continuing cuts that have started.
- ▶ Start sawing with the saw running.
- ▶ Always sharpen the cutting chain correctly. When doing this, pay attention to the correct height of the depth gauge.
- ▶ Do not cut multiple branches at the same time. When pruning branches, be careful not to touch other branches with the saw.
- ▶ When sawing, pay attention to closely adjacent trunks.

- ▶ **Work should only be done with good visibility and good lighting. Special attention must be paid to wet soil, ice and snow (risk of slipping).** Freshly sanded wood (kara) poses an increased risk of slipping.
- ▶ You cannot work on an unstable foundation. Pay attention to objects that can interfere with your work and that you can trip over. All the time it is necessary to monitor the preservation of a stable position.
- ▶ You should never cut above shoulder height.
- ▶ Never saw while standing on a ladder.
- ▶ Never climb a tree to work with a chain saw.
- ▶ Do not work in an excessively inclined position.
- ▶ The saw should be guided in such a way that no part of the body is in the continued grip of the cutting chain.
- ▶ The saw should only be used for cutting trees.
- ▶ Do not touch the ground with the moving saw chain.
- ▶ The saw should not be used to plan and cut grooves in wood.
- ▶ The cutting area must be free of foreign bodies such as sand, stones, nails, etc. Foreign objects can damage the saw or cause it to be thrown back.
- ▶ When cutting round timber, use a stable support (trestle, if possible). It is not allowed for another person or the operator himself to hold a part of the tree.
- ▶ Round wood elements should be reinforced so that they cannot rotate during cutting.
- ▶ When felling trees or cross-cutting, be sure to hook the saw with the claw.
- ▶ Before each cross-cut, the claw engagement must be firmly set and only then can the saw be started to cut the tree. In this case, the saw is guided upward by the rear handle, and by the arc handle it is guided around the claw engagement as around the center of rotation. Cutting is resumed by lightly pressing the arc handle. The saw should then be turned back slightly. Submerge the claw engagement deeper and raise the rear handle again.
- ▶ Work operations consisting of sawing timber or rip sawing may only be carried out by specially trained persons (increased risk of being thrown away).

Work behavior / Work methods

- ▶ **The saw may slip to the side or rebound slightly during plunge.** It depends on the wood and the condition of the saw chain. For this reason, always hold the chain saw with both hands.
- ▶ **Longitudinal cuts should be carried out at as small an angle as possible.** In this case, you should be especially careful, since there is no possibility of using the claw engagement.
- ▶ **When removing the cutting part from the cut, the chain must be in motion.**
- ▶ **When performing a large number of cuts, slow down the cutting speed with the throttle lever between operations.**
- ▶ **Care should be taken when cutting splintered pieces. Parts of the cut wood can be caught in the chain (risk of injury).**
- ▶ **If the chain gets caught while cutting with the upper side of the bar, the saw can be thrown back towards the operator.** With this in mind, if possible, cut with the underside of the bar so that if the chain is jammed, the saw is thrown away from the operator towards the tree being cut.
- ▶ **Wood in which stresses arise should always be sawed first from the side of the compressive stress.** Only then should it be cut from the tensile stress side. This will avoid dangerous blade jamming.
- ▶ **At the end of the cut, the chain saw falls by its own weight as it can no longer be held in the cut.** This requires controlled adherence. CAUTION: Felling and delimiting trees, as well as work on windbreaks may only be carried out by specially trained persons. High injury risk!
- ▶ **When delimiting, the saw should be supported against the trunk whenever possible.** When doing this, do not cut with the end of the blade of the cutting chain (danger of being thrown away).
- ▶ **Particular attention should be paid to branches that are in a state of tension.** Free hanging branches should not be cut from below.
- ▶ **Do not delimit while standing on the trunk.**
- ▶ **You can start sawing trees only after making sure that:**
 - a) there are no strangers in the felling area (falling trees);
 - b) there is enough space for each of the windrowers to retreat (the retreat path should be at an angle of 45 ° to the axis of fall from the side of the cut being cut).
- c) all foreign bodies, thickets and branches have been removed around the tree trunk. Ensure a stable cutting position (risk of falling).
- d) Each subsequent workstation must be at least 2.5 times the height of the felled tree. Before felling, check the direction of fall of the sawn tree and make sure that there are no people or objects in the area.
- ▶ **Tree rating:**

The direction of the slope, the presence of loose or dry branches, the height of the tree, the natural overhang, whether the tree is rotten.
- ▶ Pay attention to wind speed and direction. In case of strong gusts of wind, you should refuse to roll.
- ▶ **Trimming roots at the base:**

You should start from the largest root. First, a vertical cut should be made, then a horizontal one.
- ▶ **Cutting undercut:** The undercutting cut directs the tree to fall. It is performed at right angles to the direction of the tree falling to a depth of 1/3 to 1/5 of the trunk thickness. The cut should be done as close to the ground as possible.
- ▶ **Possible corrections should be made to the full height of the cut.**
- ▶ **The cut-off cut is made above the base of the cut-off cut wedge.** It must be carried out strictly horizontally. There should be about 1/10 of the trunk diameter as a hinge between the cutting and undercutting notches.
- ▶ **The material between the two cuts acts as a hinge.** In no case should you saw it through, since in this case the fall of the tree would be uncontrollable. The wedges should be installed at the appropriate time.
- ▶ **The cutting notch can only be insured with plastic or aluminum wedges. Do not use iron wedges.** If the chain collides with an iron wedge, serious damage may occur or the chain may break.
- ▶ **When felling, be on the side of the falling trunk.**
- ▶ **When stepping back after making a cutting notch, pay attention to falling branches.**
- ▶ **When working on a slope, the operator should be above or to the side of the trunk to be cut, depending on the tree lying.**
- ▶ **Beware of rolling trunks.**

Product Description and Specifications



Read all safety warnings and all instructions. Failure to follow the warnings and instructions may result in electric shock, fire and/or serious injury.

Intended Use

The chainsaw is designed for cutting branches, trunks, logs and beams, the diameter of which is determined by the cutting length of the saw bar.

The tool is intended only for domestic use by adults who have received appropriate training in potential hazards, preventive measures and handling procedures. Not intended for professional long-term use.

Product Features

The numbering of the components shown refers to the representation of the power tool on the graphic pages.

- 1 Rear handle
- 2 Air filter cover
- 3 Air filter cover lock
- 4 Front handle
- 5 Hand guard (chain brake release)
- 6 Muffler
- 7 Toothed stop
- 8 Chain tensioning screw
- 9 Locking nuts
- 10 Chain catcher
- 11 Protective cover
- 12 Oil pump adjusting screw (down side)
- 13 Primer
- 14 Throttle valve retainer
- 15 Starter handle
- 16 Switch
- 17 Choke lever
- 18 Throttle lever
- 19 Safety lock button
- 20 Rear guard
- 21 Fuel tank cap
- 22 Manual starter
- 23 Oil tank cap
- 24 Chain
- 25 Guide bar

Technical Data

Model	GCS45-C5
Engine displacement	52 CC
Power	2000 W
No-load speed	11000 r/min
Bar length	405 mm(16")
Weight	5.5 kg

Contents of delivery

Gasoline chain saw	1pc.
Guide plate	1pc.
Guide plate cover	1pc.
Chain	1pc.
Screwdriver	1pc.
Socket wrench	1pc
Oiler	1pc.
Hex key	2pcs.
Toothed stop	1pc.
Screw for fixing the stop	2pcs.
Gloves	1pc.
Instruction manual	1pc.

Note

Since the product is constantly being improved, P.I.T. reserves the right to make changes to the specifications and product specifications specified here without prior notice.

Assembly

Mounting the saw chain and bar

WARNING:

Be sure to turn off the engine and remove the spark plug wire before performing any work on the guide bar or chain.

Be sure to wear protective gloves.

- Make sure the chain brake is not engaged.
- Unscrew the nuts and remove the protective cover (11).
- Set the chain tensioner pin as close as possible to the drive sprocket by turning the chain tensioning screw counterclockwise.
- Place the chain over the drive sprocket.
- Slide the chain onto the bar and place the bar over the tensioner studs and pin.
- Make sure the edges of the chain cutting teeth on the top of the bar are facing away from the chainsaw engine.
- Place the guide bar guard (11) on the studs and secure with the nuts (9).
- Grasp the toe of the bar and lift it up at the same time, by turning the tension screw clockwise, adjust the chain tension.
- Tighten the nuts on the guard tightly. Then check that the chain slides well and has the correct tension by manually displacing it. Re-adjust the chain tension if necessary. To do this, first loosen the guard nuts again. The chain tension is correct if the chain can be pulled back 4-6 mm in the middle of the bar and can be turned by hand along the bar. When installing a new chain, the tension should be checked regularly until the chain runs in. The per-

formance and life of the chain depends on the correct tension.

ATTENTION! The new chain lengthens slightly as it is used. Check and adjust its tension, as if loose, it can jump off or quickly wear out along with the tire.

Fuel and chain oil

Refueling must be done outdoors without harming the environment. In addition, before starting the engine, you must move at least 3 meters from the point where refueling was performed.

The engine is lubricated with a special oil for air-cooled 2-stroke gasoline engines.

Use a high quality antioxidant oil.

Recommended proportion

For the fuel mixture, see the oil packaging!

The chainsaw engine is designed to run on unleaded gasoline with an octane rating of at least 92.

Using gasoline with a lower octane rating can cause the engine to overheat and seize the piston.

Poor quality gasoline or oil can also damage the engine.

Fuel mixing

To prepare the fuel mixture, first mix all the required volume of oil with half of the required amount of gasoline, then add the rest of the gasoline. Stir the mixture thoroughly before pouring it into the saw's gas tank.

Refueling with fuel and oil

Wipe the tank around the cap to avoid fuel clogging.

Unscrew the fuel (oil) tank cap and fill with the fuel mixture (oil) up to the lower edge of the filler neck.

Be careful not to spill fuel. Screw on the tank cap by hand until it stops. After refueling, clean the tank cap and surrounding area.

Chain lubrication

Use SAE 10W-40 engine oil to lubricate the chain.

ATTENTION! Do not use used or dirty oil to lubricate the chain, as it can damage the oil pump and shorten the life of the bar, chain and drive sprocket.

The chainsaw is equipped with an adjustable automatic oil supply to the bar and chain.

The system automatically supplies the required amount of oil. As the engine speed increases, the amount of oil supplied increases. The amount of oil supplied can be adjusted using the adjusting screw located on the bot-

tom of the chainsaw.

The volume of the oil tank is dimensioned so that a small amount of oil remains in the oil tank when the fuel tank is fully used up.

The saw chain and bar must be lubricated at all times during operation.

ATTENTION! Never work without chain lubrication. Work, even for a short time, without oil supply or with insufficient oil supply leads to failure of the saw headset (bars, chains, sprockets). Running without oil in the tank will damage the oil pump.

The oil supply should be checked before starting work and each time after filling the tanks with fuel and oil:

- To check, position the saw over a clean, light surface at a distance of about 15-20 cm, pull the gas trigger and let the engine run for about 10-15 seconds at medium speed. There should be a clear trace of oil under the tire.

Chain brake

The chainsaw is equipped with an automatic brake that stops the rotation of the chain if the saw kicks back during operation.

Engaging the chain brake: If the kickback is strong enough, the sudden acceleration of the guide bar, combined with the inertia of the hand guard (5), will automatically engage the chain brake.

To manually engage the brake, push the hand guard (5) forward (away from you) with your left hand.

To release the chain brake: Pull the hand guard (5) towards you until it engages. The brake is disengaged.

Precautionary measures:

- Before using the saw, check that the brake is working properly every time.
- If the brake is defective, contact a service center for inspection and repair.
- If the saw is being operated with the brake engaged, the clutch will overheat, causing the saw to break.
- If the brake is applied during operation, release the throttle lever immediately to stop the engine.

Engine starting

Using a chainsaw with damaged or missing parts is dangerous. Make sure all parts, including bar and chain, are correctly installed before starting the engine. Also make sure the chain brake is disengaged.

The chainsaw is equipped with an Easy Start engine start system. When starting the en-

gine, gently pull the starter handle, the starter mechanism will start the engine.

Cold start

- Engage the chain brake by pushing the guard forward.
- Move the ignition switch to the up position (“Start”).
- Pull out the choke knob fully.
- Press the primer 4-6 times until fuel appears in the booster pump.
- Pull the starter handle several times until you hear the first engine start sounds.
- Return the choke knob to its original position.
- Pull the starter handle again.
- After starting the engine, slightly press down on the throttle lever. The throttle will be released and the engine will go to idle.
- Pull the guard towards you immediately (chain brake OFF).

Starting a warm engine

- Move the ignition switch to the up position.
- Use the same procedure as when starting a cold engine, however do not pull out the choke knob or prime the fuel mixture.

Stopping the engine

- Release the throttle lever and let the engine idle.
- Move the ignition switch to the down position (“Stop”).

Maintenance and service

Maintenance and cleaning

During all maintenance operations, turn off the engine and remove the high voltage cable from the spark plug!

Air filter:

Unscrew the air filter cover fastener and remove the cover.

Remove the filter and remove the sawdust with a brush. If the filter is clogged with sawdust, separate it in two and wash it in gasoline.

If you are using compressed air, supply it from the inside of the filter.

Cylinder:

Accumulation of dust (sawdust) between the cylinder ribs can cause the engine to overheat. Check and clean the cylinder fins periodically, after removing the air filter and cylinder cover. Always cover the air intake opening when cleaning the cylinder.

Fuel filter:

- Use a wire hook to remove the filter from the filler neck.
- Disassemble and wash the filter in gaso-

line, replace it if necessary. After removing the filter, close the end of the suction tube with a clamp. When installing the filter, make sure that no dirt gets into the suction tube.

Candle:

Clean the electrodes with a wire brush and, if necessary, bring the distance between them to 0.65 mm.

Leading asterisk:

Check it for damage or wear. If it is damaged or worn out, replace it. Do not put a new chain on a worn drive sprocket and vice versa.

Oil hole:

Remove the tire and make sure the lubricants are the channels are not clogged.

Transport and storage

Chainsaw storage is allowed in any clean, dry room, while preventing the possibility of exposure to aggressive substances and direct sunlight, at an air temperature from 0 ° C to + 40 ° C and an air humidity of up to 80%. Do not store the saw near open flames. The product must be stored in its original packaging. Before a long shelf life of the saw (30 days or more):

1. Drain the fuel tank completely and pull the starter handle 3-4 times to remove fuel from the carburetor.
2. Move the switch to the “O” position
3. Remove excess grease, oil, sawdust and debris from the saw surface.
4. Perform all required scheduled procedures and lubrication.
5. Tighten all screws and fasteners.
6. Remove the spark plug and fill the cylinder with 10 ml of fresh and clean 2-stroke engine oil. Cover the plug hole with a clean cloth. Pull the starter handle 2 or 3 times to distribute the oil inside the cylinder.
7. Install the spark plug (without connecting the ignition cable).
8. Cover guide bar and chain with protective cover before storing.

During loading and transportation, the possibility of mechanical damage and spontaneous movement of the product should be completely excluded.

The chainsaw should be transported with a sheathed saw bar or without a saw chain and bar.

Dispose of waste

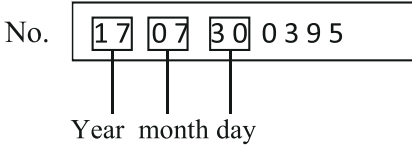


Damaged power tools, batteries, accessories and waste packaging materials must be recycled and reused in

an environmentally friendly manner.

Do not throw power tools and accumulators / batteries into general household waste!

Product serial number interpretation serial number



The first and second digits of the product serial number from left to right

Year of production, the third and fourth digits indicate the month of production, the

The fifth and sixth digits indicate the production day.

TERMS OF WARRANTY SERVICE

1. This Warranty Certificate is the only document confirming your eligibility for free warranty service. Claims will not be accepted without presenting this certificate. In case of loss or damage, the warranty certificate will not be restored.

2. The warranty period is 12 months from the date of sale; during the warranty period, the service department eliminates manufacturing defects free of charge and replaces parts that are out of order due to the manufacturer's fault. An equivalent serviceable tool is not provided during the warranty period. Replaced parts become the property of the service department. The manufacturer is not responsible for any damage that may be caused while working with the tool.

3. For warranty repair, the instrument is accepted in its pure form, with the obligatory presence of properly executed documents: this warranty certificate, warranty card, with completely filled fields, the stamp of the trade organization and the buyer's signature.

4. Warranty repairs are not performed in the following cases:

- in the absence of a warranty certificate and a warranty card or their incorrect execution;
- if the warranty certificate or coupon does not belong to this instrument or does not correspond to the sample set by the supplier;
- after the warranty period has expired;
- when attempting to open or repair the instrument by yourself outside the warranty workshop;
- making constructive changes to the tool during the warranty period, as evidenced, for example, by creases on the spline parts of the

body parts fasteners.

-when using the tool for production or other purposes related to making a profit, as well as -in the event of malfunctions associated with the instability of the parameters of the electrical network, exceeding the norms established by GOST;

- in case of improper operation (use of the tool for other purposes, installation of attachments not intended by the manufacturer on the tool, accessories, etc. ;

- in case of mechanical damage to the case, power cord and in case of damage caused by the effects of aggressive agents and high and low temperatures, the ingress of foreign objects into the ventilation grilles of the tool, as well as damage resulting from improper storage (corrosion of metal parts);

- in case of natural wear of tool parts, as a result of long-term operation (determined by signs of full or partial depletion of the resource, severe pollution, rust outside and inside the tool, used lubricant in the gearbox);

-use of the tool for purposes other than those specified in the instruction manual.

-in case of mechanical damage to the tool;

-in the event of damage due to non-observance of the operating conditions specified in the instructions (see the chapter "General safety measures" in the instructions).

- damage to the product due to non-observance of the rules of storage and transportation.

Preventive maintenance of the tool (cleaning, flushing, lubricating, replacing anthers, piston and O-rings) during the warranty period is a paid service.

The service life of the product is set by the manufacturer and is 2 years from the date of manufacture.

Possible violations of the above conditions of warranty service are reported to the owner after diagnostics at the service center.

The owner of the tool trusts the diagnostics at the service center in his absence.

Do not use the power tool if there are signs of increased heating, sparking, or noise in the gear section. To find out the reasons for the malfunction, the buyer should contact the warranty workshop.

Malfunctions caused by untimely replacement of the engine carbon brushes are eliminated at the expense of the buyer.

5. The warranty does not cover:

- for malfunctions resulting from failure to eliminate the original malfunction;

- for products for which the serial number has been removed, illegible or changed, as well as the serial number does not match the serial number indicated in the warranty card;
- for consumable and wearing parts that are out of order due to normal wear and tear. For example: chains, tires, candles, sprockets, filters, starter parts, brake band, clutch spring, tire fastening and tensioning elements, etc. Also parts whose life depends on regular maintenance;
- for all types of work performed during periodic maintenance (adjustments, cleaning, replacement of consumables, etc.);
- for malfunctions resulting from violation of the requirements and operating rules established by the product passport. For example: overheating of the product, non-compliance with the requirements for the composition and quality of the fuel mixture, which led to the failure of the piston group (an unconditional sign of this is the occurrence of the piston ring and / or the presence of scratches and abrasions on the inner surface of the cylinder and the surface of the piston, destruction or melting of the connecting rod support bearings, and piston pin);
- on external and internal dirt, scratches, cracks, damage caused during operation or transportation.

Русский

Общие инструкции по технике безопасности



ПРЕДУПРЕЖДЕНИЕ

Прочтите все указания и инструкции по технике безопасности.

Для вашей безопасности и безопасности окружающих прочитайте эту информацию внимательно перед использованием цепной пилы. Используйте цепную пилу только для пиления древесины. Любое другое использование - может быть опасно и привести к увечьям. Изготовитель не несёт ответственности за повреждения, вызванные неправильным использованием инструмента.

- ▶ **Внимательно прочитайте инструкции в данном руководстве и следуйте им.** Обращайте внимание на знаки безопасности и следуйте инструкциям по технике безопасности. Несоблюдение оператором инструкций и знаков может привести к травме, повреждениям или смерти.
- ▶ **Не выбрасывайте это руководство.** Следуйте инструкциям по сборке, эксплуатации и уходу за изделием. Используйте эти инструкции для правильной установки насадок и дополнительных принадлежностей. Используйте только апробированные насадки и аксессуары.
- ▶ **Не используйте повреждённое изделие.** Соблюдайте график техобслуживания. Выполняйте самостоятельно только те работы по техобслуживанию, которые описаны в данном руководстве. Все другие работы по техобслуживанию должны выполняться авторизованным сервисным центром.
- ▶ **Отсоединяйте кабель свечи зажигания перед сборкой изделия, помещением его на хранение или проведением техобслуживания.**
- ▶ **Запрещается использовать изделие, если были изменены его исходные технические характеристики.** Запрещено вносить изменения в конструкцию изделия. Используйте только рекомендованные производителем детали. Неправильное техобслуживание может привести к травме или смертельному исходу.
- ▶ **Не вдыхайте выхлопные газы двигателя.** Продолжительное вдыхание выхлопных газов двигателя, испарений

масла для смазки цепи и древесной пыли опасно для здоровья.

- ▶ **Запрещается запускать изделие в помещении или рядом с легковоспламеняющимися материалами.** Выхлопные газы имеют высокую температуру и могут содержать искры, которые в свою очередь могут привести к пожару. Недостаточная вентиляция может привести к травме или смерти в результате удушья или отравления угарным газом.
- ▶ **Не разрешается работать с пилой лицам, не ознакомившимся с данной инструкцией по эксплуатации, детям, подросткам, а также лицам, находящимся под действием алкоголя, наркотиков или медикаментов.**
- ▶ **Работа цепной пилой требует большой осторожности.**
- ▶ **Работу следует выполнять только в нормальном физическом состоянии.** Кроме того, усталость приводит к снижению внимания. Запрещается работать при плохом самочувствии. Особенно бдительным при использовании надо быть в конце рабочего дня. Все рабочие операции следует выполнять спокойно и осознанно. Оператор несёт ответственность за безопасность посторонних лиц.
- ▶ **В данное руководство невозможно включить все ситуации, которые могут возникнуть при использовании изделия.** Будьте осторожны и руководствуйтесь здравым смыслом. Если вы не уверены в ситуации, не используйте изделие и не выполняйте его техобслуживание. Для получения необходимой информации обратитесь к специалисту по продукции, дилеру, специалисту по обслуживанию или в авторизованный сервисный центр.

Средства индивидуальной защиты

- ▶ **Всегда используйте соответствующее защитное снаряжение при эксплуатации изделия.** Средства индивидуальной защиты снижают тяжесть травм при несчастных случаях, но не исключают их полностью.
- ▶ **Одежда должна соответствовать телу, то есть должна плотно прилегать к телу, но не сковывать движений.** Не следует носить никаких украшений или одежды, которые могли бы зацепиться за кусты или ветки. Убирайте

длинные волосы.

- ▶ На всех лесных работах следует носить защитную каску, охраняющую от падающих веток. Следует регулярно проверять, не повреждена ли каска.
- ▶ Для защиты слуха следует носить индивидуальные средства защиты от шума (наушники, заглушающие вкладыши и т.д.) Длительное воздействие шума может привести к снижению слуха.
- ▶ Пользуйтесь защитными очками или маской, чтобы уменьшить риск травмы отбрасываемыми предметами. Изделие может отбрасывать предметы, например, опилки и щепки, с большой силой. Это может привести к серьезным травмам, в том числе глаз.
- ▶ Надевайте грубые нескользящие защитные перчатки для лучшего сцепления с поверхностью (захвата) и защиты от холода и вибрации.
- ▶ Используйте прочные защитные ботинки или сапоги с закрытым носком и с нескользящей подошвой.
- ▶ Брюки должны быть не слишком широкими, без отворотов; их следует либо заправить в голенища сапог, либо укоротить.
- ▶ Всегда имейте при себе аптечку для оказания первой медицинской помощи.

Правила безопасного обращения с топливом

- ▶ Перед заправкой следует выключить двигатель и охладить пилу.
- ▶ Запрещается курить во время заправки и при работе с бензопилой. Не курите вблизи мест хранения топлива, не приближайтесь к ним с источниками открытого огня или искр.
- ▶ Запрещается запускать изделие, если на него попало топливо или моторное масло. Удалите постороннее топливо/масло и дайте изделию высохнуть.
- ▶ Если топливо попало на одежду, немедленно смените ее.
- ▶ Не допускайте попадания топлива на тело, это может причинить вред здоровью. При попадании топлива на тело смойте его водой с мылом.
- ▶ Запрещается запускать двигатель, если вы пролили масло или топливо на изделие или тело.
- ▶ Запрещается запускать изделие при наличии утечки из двигателя. Регу-

лярно проверяйте двигатель на наличие утечек.

- ▶ Соблюдайте осторожность при обращении с топливом. Топливо является легко воспламеняющейся жидкостью со взрывоопасными парами и может привести к серьезным или смертельным травмам.
- ▶ Запрещается вдыхать пары топлива, т. к. это может причинить вред здоровью. Убедитесь в наличии достаточного потока воздуха.
- ▶ Запрещается доливать топливо при работающем двигателе.
- ▶ Прежде чем заправить изделие, убедитесь, что двигатель полностью остыл.
- ▶ Перед заправкой топлива медленно откройте крышку топливного бака и осторожно сбросьте давление.
- ▶ Запрещается заливать топливо в двигатель в помещении. Недостаточная вентиляция может привести к травме или смерти в результате удушья или отравления угарным газом.
- ▶ Аккуратно затяните крышку топливного бака во избежание возгорания.
- ▶ Переместите изделие минимум на 3 м от места заправки топливом, прежде чем запустить его.
- ▶ Не наливайте в топливный бак слишком много топлива.
- ▶ Убедитесь, что при перемещении пилы или емкости для топлива невозможно возникновение утечки.
- ▶ Запрещает размещать бензопилу или емкость для топлива вблизи открытого огня, искр или горящих фитилей. Убедитесь, что в месте хранения отсутствует открытый огонь.
- ▶ Нельзя хранить топливо неограниченное время. Следует покупать только такое количество топлива, которое должно быть использовано по плану.
- ▶ Как топливо, так и масло для смазки цепи следует транспортировать и хранить только в предназначенных для этого и соответственным образом обозначенных канистрах. Следует предотвратить доступ детей к этим веществам.
- ▶ Очистите изделие, прежде чем поместить его на длительное хранение.
- ▶ Сливайте топливо из топливного бака перед размещением изделия на длительное хранение. Соблюдайте

требования местного законодательства в отношении места утилизации топлива.

- ▶ **Прежде чем поместить изделие на хранение, снимите кабель свечи зажигания во избежание случайного запуска двигателя.**

Техника безопасности при запуске

- ▶ **Не работать в одиночестве, на всякий случай кто-то должен находиться поблизости (в пределах слышимости).**
- ▶ **Цепную пилу с двигателем внутреннего сгорания нельзя использовать вблизи мест проживания людей.** Следует убедиться, что в зоне пользования пилой нет посторонних. Следует также предостеречь доступ животных.
- ▶ **Перед запуском пилы следует проверить безупречность ее работы и исправность состояния.** Следует обратить особое внимание на следующее: действие тормоза цепи, правильность заточки цепи и ее натяжение, надежность крепления крышки тормоза, плавность работы рычага газа и блокировку этого рычага. Следует проверить, чисты ли и сухи ли рукоятки с точки зрения гигиены труда и техники безопасности, а также правильность работы выключателя СТАРТ/СТОП.
- ▶ **Запускать пилу следует только после полной сборки и проверки.** Использование полностью укомплектованным инструментом должно стать правилом.
- ▶ **Перед запуском оператор должен принять устойчивое положение.**
- ▶ **Пилу следует запускать только в предусмотренном инструкцией по обслуживанию порядке.** Иной способ запуска недопустим.
- ▶ **При запуске следует обеспечить пиле надежную опору и крепко ее удерживать.** Как полотно цепи, так и сама цепь не должны ни к чему прикасаться.
- ▶ **Во время работы пилу следует держать обеими руками: правой рукой за заднюю рукоятку, а левой за дуговую.** Рукоятки следует хватывать уверенным хватом ладони и большого пальца.
- ▶ **ВНИМАНИЕ:** После отпущения рычага газа режущая цепь движется еще некоторое время (эффект инерции).
- ▶ **Следует постоянно обращать внимание на устойчивое положение.**

- ▶ **Пилу следует держать таким образом, чтобы не вдыхать выхлопных газов.** Не работать в закрытых помещениях (опасность отравления).
- ▶ **В случае замеченных перебоев в работе пилы ее следует немедленно выключить.**
- ▶ **Перед проверкой натяжения режущей цепи для ее натяжения, замены или устранения неисправностей следует выключить двигатель.**
- ▶ **Если режущая часть пилы наткнется на камень, гвоздь или подобные твердые предметы, следует немедленно выключить двигатель и проверить устройство.** При силовых воздействиях, напр., при ударах или падениях, всю моторную пилу нужно проверить на предмет исправности!
- ▶ **Во время перерывов в работе пилу следует выключить и расположить так, чтобы она не угрожала чьей-либо безопасности.**



ВНИМАНИЕ: Не кладите сильно нагретую пилу на сухую траву или легковоспламеняющиеся предметы. Глушитель выхлопных газов является источником очень высокой температуры (опасность пожара).

- ▶ **ВНИМАНИЕ:** Масло, капающее с режущей цепи и полотна после выключения пилы, загрязняет окружающую среду, поэтому следует использовать соответствующую подкладку.

Отбрасывание пилы

- ▶ **При работе цепной пилой может наблюдаться явление отбрасывания пилы.**
- ▶ **Это может произойти при неосторожном прикосании верхней частью конца полотна к дереву или другому твердому предмету.**
- ▶ **В этом случае наступит неконтролируемое отбрасывание пилы с большой силой в сторону оператора.** Опасность травмирования! Чтобы этого избежать, следует соблюдать следующие указания:
- ▶ **Запиливание (прямое запиливание дерева остриём пилы) должно выполняться только специально обученным работником!**
- ▶ **Всегда следите за положением конца полотна режущей цепи.** Соблюдайте

осторожность при продолжении начатых распилов.

- ▶ **Пиление начинайте работающей пилой.**
- ▶ **Следует всегда правильно затачивать режущую цепь.** Необходимо при этом обращать внимание на правильную высоту ограничителя глубины.
- ▶ **Не перерезать несколько веток одновременно.** При обрезании сучьев нужно следить за тем, чтобы не касаться пилой других ветвей.
- ▶ **При пилении следует обращать внимание на близко прилегающие стволы.**

Поведение во время работы / Методы работы

- ▶ **Работать следует только при хорошей видимости и хорошем освещении.** Особое внимание необходимо соблюдать при мокрой почве, гололеде и снеге (опасность поскользнуться). Свеже, ошкуренное дерево (кора) представляет собой повышенную опасность соскальзывания.
- ▶ **Нельзя работать на неустойчивом основании.** Следует обращать внимание на предметы, которые могут помешать в работе, и о которые можно споткнуться. Все время необходимо следить за сохранением устойчивого положения.
- ▶ **Никогда не следует пилить выше уровня плеч.**
- ▶ **Никогда не пилите, стоя на лестнице.**
- ▶ **Никогда не влезать на дерево для проведения работ с помощью моторной пилы.**
- ▶ **Не работать в излишне наклонном положении.**
- ▶ **Пилу следует вести таким образом, чтобы никакая часть тела не находилась на продолжении захвата режущей цепи.**
- ▶ **Пилу следует использовать исключительно для пиления деревьев.**
- ▶ **Не касаться движущейся пильной цепью почвы.**
- ▶ **Нельзя использовать пилу для обстругивания и выбирания пазов в древесине.**
- ▶ **Участок пиления необходимо очистить от посторонних тел, таких как песок, камни, гвозди и т.п.** Посторонние предметы могут повредить пилу или стать причиной ее отбрасывания.

- ▶ **При пилении кругляков следует использовать устойчивую подставку (по возможности козлы).** Нельзя, чтобы другой человек или сам оператор придерживал часть дерева.
- ▶ **Круглые элементы дерева следует укрепить так, чтобы они не могли вращаться во время резки.**
- ▶ **При валке деревьев или поперечном пилении обязательно следует зацепить пилу при помощи когтевого зацепления.**
- ▶ **Перед каждым поперечным пилением следует надежно установить когтевое зацепление и только после этого начать пиление дерева работающей пилой.** При этом пила направляется за заднюю рукоять вверх, а за дуговую рукоять ведется вокруг когтевого зацепления как вокруг центра вращения. Возобновление пиления производится легким нажатием на дуговую рукоятку. Пилу следует при этом слегка возвратить. Погрузить глубже когтевое зацепление и вновь поднять заднюю рукоять.
- ▶ **Рабочие операции, состоящие из распиливания строевого леса или продольного пиления, могут выполнять только специально обученные лица (повышенная опасность отбрасывания).**
- ▶ **При врезании пила может соскользнуть в сторону или слегка отскокить.** Это зависит от древесины и состояния пильной цепи. По этой причине моторную пилу нужно всегда держать двумя руками.
- ▶ **Продольное резание следует выполнять под возможно малым углом.** Следует при этом поступать особенно осторожно, так как нет возможности использования когтевого зацепления.
- ▶ **При изъятии режущей части из пропила цепь должна быть в движении.**
- ▶ **При выполнении большого количества пиления, следует между отдельными операциями замедлять скорость пиления рычажком газа.**
- ▶ **Следует соблюдать осторожность при пилении расщепленных кусков.** Части отрезанного дерева могут быть захвачены цепью (опасность травмы).
- ▶ **В случае заклинивания цепи при резании верхней стороной полотна, пила может быть отброшена в направлении оператора.** С учетом этого

- следует по возможности пилить нижней стороной полотна, чтобы в случае заклинивания цепи пила отбрасывалась от оператора в сторону перерезаемого дерева.
- ▶ **Древесину, в которой возникают напряжения, следует всегда надпиливать сначала со стороны сжимающего напряжения.** Только после этого ее следует перерезать со стороны напряжения растягивающего. Это позволит избежать опасного заклинивания полотна.
 - ▶ **В конце распила моторная пила проваливается под действием собственного веса, поскольку она уже не удерживается в прорези.** Это требует контролируемого придерживания. **ОСТОРОЖНО:** Валку и обрезание сучьев деревьев, а также работу на буреломах могут выполнять только специально обученные лица. Высокая травмоопасность!
 - ▶ **При обрезании сучьев пилу следует по возможности опирать о ствол.** Нельзя при этом пилить концом полотна режущей цепи (опасность отбрасывания).
 - ▶ **Следует обращать особое внимание на ветви, находящиеся в состоянии натяжения.** Свободно висящие ветви не следует перерезать снизу.
 - ▶ Нельзя выполнять обрезание сучьев, стоя на стволе.
 - ▶ **Работу по пилению деревьев можно начинать, только убедившись, что:**
 - a) в зоне валки (падения деревьев) нет посторонних;
 - b) есть достаточно места для отхода каждого из работающих на валке (путь отхода должен проходить под углом 45° к оси падения со стороны выполняемого надпила).
 - c) вокруг ствола дерева убраны все посторонние тела, заросли и ветки. Следует следить за устойчивым положением при пилении (опасность падения).
 - d) Каждое последующее рабочее место должно находиться на расстоянии как минимум 2,5 расстояний, равного высоте поваленного дерева. Перед валкой следует проверить направление падения перепиленного дерева и убедиться, что в данной зоне нет ни людей, ни предметов.
 - ▶ **Оценка дерева:**
 - Направление склона, наличие отдельных или сухих веток, высота дерева, естественный свес, не является ли дерево трухлявым.
 - ▶ Следует обратить внимание на скорость и направление ветра. При сильных порывах ветра следует отказаться от валки.
 - ▶ **Обрезка корней у основания:** Следует начинать от наибольшего корня. Сначала следует произвести вертикальный надпил, потом горизонтальный.
 - ▶ **Выполнение подрезающего надпила:** Подрезающий надпил задает дереву направление падения. Он выполняется под прямым углом к направлению падения дерева на глубину от 1/3 до 1/5 толщины ствола. Надпил следует выполнять как можно ближе к земле.
 - ▶ **Возможные поправки следует производить на всю высоту надпила.**
 - ▶ **Отсекающий надпил производится выше основания клина подрезающего надпила.** Необходимо выполнять его строго горизонтально. Между отрезающим и подрезающим надпилами должно оставаться около 1/10 диаметра ствола в качестве недопила.
 - ▶ **Материал между двумя надпилами выполняет функцию шарнира.** Ни в коем случае нельзя его перепилить, так как в этом случае падение дерева было бы неконтролируемое. Следует в соответствующий момент установить клинья.
 - ▶ **Отрезающий надпил может быть застрахован только клиньями из пластмассы или алюминия.** Запрещается использовать железные клинья. Если цепь столкнется с железным клином, может произойти серьезное повреждение или порвется цепь.
 - ▶ **При валке следует находиться сбоку отпадающего ствола.**
 - ▶ **При отходе после выполнения отрезающего надпила следует обращать внимание на падающие ветки.**
 - ▶ **При работе на склоне оператор должен находиться выше или сбоку от обрабатываемого ствола, в зависимости от лежащего дерева.**
 - ▶ **Следует остерегаться скатывающихся стволов.**
 - ▶ **Описание продукта и услуг**



Прочтите все указания и инструкции по технике безопасности.

Упущения в отношении указаний и инструкций по технике безопасности могут стать причиной поражения электрическим током, пожара и тяжелых травм.

Применение по назначению

Бензопила предназначена для распила веток, стволов, бревен и бруса, диаметр которых определяется длиной резания пильной шины.

Инструмент предназначен только для быстрого применения взрослыми, прошедшими соответствующее обучение на предмет потенциальной опасности, профилактических мер и действий при эксплуатации. Для профессионального длительного применения не предназначена.

Изображенные составные части

Нумерация представленных компонентов выполнена по изображению на странице с иллюстрациями.

- 1 Ручка задняя
- 2 Крышка воздушного фильтра
- 3 Замок крышки воздушного фильтра
- 4 Ручка передняя
- 5 Защита руки (разблокировка тормоза цепи)
- 6 Глушитель
- 7 Упор зубчатый
- 8 Винт натяжения цепи
- 9 Фиксирующие гайки
- 10 Улавливатель цепи
- 11 Защитный кожух
- 12 Регулировочный винт масляного насоса (нижняя сторона)
- 13 Праймер
- 14 Фиксатор дроссельной заслонки
- 15 Ручка стартера
- 16 Выключатель
- 17 Рычаг воздушной заслонки
- 18 Рычаг дроссельной заслонки
- 19 Кнопка предохранительной блокировки
- 20 Задний защитный кожух
- 21 Крышка топливного бака
- 22 Ручной стартер
- 23 Крышка масляного бака
- 24 Цепь
- 25 Пильная шина

Технические характеристики

Модель	GCS45-C5
Объем двигателя	52 куб
Мощность	2000 Вт

Модель	GCS45-C5
Скорость холостого хода	11000 об/мин
Длина шины	405 мм (16")
Вес	5,5 кг

Комплект поставки

Пила цепная бензиновая	1 шт.
Направляющая пластина	1 шт.
Крышка направляющей пластины	1 шт.
Цепочка	1 шт.
Отвертка	1 шт.
Торцевой ключ	1 шт.
Канистра	1 шт.
Шестигранный ключ	2 шт.
Зубчатый упор	1 шт.
Винт для крепления упора	2 шт.
Перчатки	1 шт.
Руководство по эксплуатации	1 шт.

Примечание

Так как инструмент P.I.T. постоянно совершенствуется, компания оставляет за собой право вносить изменения в указанные здесь технические характеристики и комплектацию без предварительного уведомления.

Сборка

Монтаж пильной цепи и шины

ПРЕДУПРЕЖДЕНИЕ:

Прежде чем выполнять какие-либо операции с направляющей шиной или цепью, обязательно выключите двигатель и снимите провод свечи зажигания.

Обязательно надевайте защитные перчатки.

- Убедитесь, что тормоз цепи не включен.
- Открутите гайки и снимите защитный кожух (11).
- Установите штифт натяжителя цепи в положение максимально близкое к ведущей звёздочке путём вращения винта натяжения цепи против часовой стрелки.
- Наденьте цепь на ведущую звездочку.
- Наденьте цепь на шину и установите шину на шпильки и штифт натяжителя.
- Убедитесь, что кромки режущих зубьев цепи на верхней части шины направлены от двигателя бензопилы.
- Установите защитный кожух (11) направляющей шины на шпильки и зафиксируйте гайками (9).
- Возьмитесь за носок шины и приподнимите его вверх одновременно с этим, вращением винта натяжения по часовой

стрелке, отрегулируйте натяжение цепи.

- Туго затяните гайки на защитном кожухе. После этого убедитесь, что цепь хорошо скользит и имеет необходимое натяжение, смещая ее вручную. При необходимости снова отрегулируйте натяжение цепи. Для этого следует сначала вновь ослабить гайки защитного кожуха. Натяжение цепи установлено правильно, если в средней части шины цепь можно оттянуть на 4-6 мм и при этом ее можно повернуть рукой вдоль шины. При установке новой цепи натяжение следует проверять регулярно, до тех пор, пока цепь не приработается. Производительность и срок службы цепи зависит от правильного ее натяжения.

ВНИМАНИЕ! Новая цепь слегка удлинится по мере ее эксплуатации. Проверяйте и регулируйте ее натяжение, так как при ослаблении она может соскочить или быстро износиться вместе с шиной.

Топливо и масло для цепи

Заправку необходимо выполнять на улице, не нанося вред окружающей среде. Кроме того, перед запуском двигателя, необходимо отойти не менее чем на 3 метра от точки, где была выполнена заправка.

Двигатель смазывается специальным маслом для бензиновых 2-тактных двигателей с воздушным охлаждением.

Используйте высококачественное антиокислительное масло.

Рекомендованную пропорцию топливной смеси смотрите на упаковке масла!

Двигатель бензопилы предназначен для работы на неэтилированном бензине с октановым числом не менее 92.

Использование бензина с меньшим октановым числом может привести к перегреву двигателя и заклиниванию поршня.

Некачественный бензин или масло также могут повредить двигатель.

Смешивание топлива

Для приготовления топливной смеси сначала смешайте весь необходимый объем масла с половиной нужного количества бензина, затем добавьте остальной бензин. Тщательно перемешайте смесь, прежде чем заливать ее в бензобак пилы.

Заправка топливом и маслом

Протрите бак вокруг крышки во избежание засорения топлива.

Отверните крышку топливного(масляного)

бака и залейте топливную смесь(масло) до нижнего среза заливной горловины.

Соблюдайте осторожность, чтобы не пролить топливо. Заверните крышку бака от руки до упора. После заправки очистите крышку бака и прилегающую область.

Смазка цепи

Применяйте для смазки цепи моторное масло SAE 10W-40.

ВНИМАНИЕ! Не используйте отработанное или грязное масло для смазки цепи, так как оно может повредить маслосос и сократить ресурс шины, цепи и ведущей звездочки.

Бензопила оборудована регулируемой автоматической системой подачи масла на шину и цепь.

Система автоматически подает необходимое количество масла. При увеличении оборотов двигателя, увеличивается количество подаваемого масла. Количество подаваемого масла можно регулировать с помощью регулировочного винта, расположенного снизу бензопилы.

Объем масляного бака рассчитан таким образом, чтобы при полной выработке топливного бака в масляном баке оставалось небольшое количество масла.

Пильная цепь и шина должны постоянно смазываться во время работы.

ВНИМАНИЕ! Запрещается работать без смазки цепи. Работа, даже незначительное время, без подачи масла или при недостаточной подаче масла приводит к выходу из строя пильной гарнитуры(шины, цепи, звездочки). Работа без масла в баке приводит к повреждению маслососа.

Проверку подачи масла следует производить перед началом работы и каждый раз после заправки баков топливом и маслом:

- Для проверки расположите пилу над чистой светлой поверхностью на расстоянии примерно 15-20 см., нажмите на курок газа и дайте поработать двигателю примерно 10-15 секунд на средних оборотах. Под шиной должен остаться четкий след масла.

Тормоз цепи

Бензопила оборудована автоматическим тормозом, останавливающим вращение цепи в случае отдачи пилы во время работы.

Включение тормоза цепи: Если отдача достаточно сильная, внезапное ускорение

направляющей шины в сочетании с инерцией ограждения для руки(5),автоматически включит тормоз цепи.

Чтобы включить тормоз вручную, левой рукой нажмите на защиту руки(5) вперед(от себя).

Выключение тормоза цепи: Потяните защиту руки(5) на себя до зацепления.Тормоз выключен.

Меры предосторожности:

- Каждый раз перед использованием пилы проверяйте исправность работы тормоза.
- Если тормоз неисправен, обратитесь в сервисный центр для проверки и ремонта.
- Если работа пилой выполняется с включенным тормозом, то сцепление перегреется, что вызовет поломку пилы.
- Если во время работы приводится в действие тормоз, необходимо сразу же отпустить рычаг газа для остановки двигателя.

Запуск двигателя

Использование бензопилы с поврежденными или недостающими деталями является опасным. Перед запуском двигателя убедитесь, что все детали, в том числе шина и цепь, правильно установлены. убедитесь также, что тормоз цепи отключен.

Бензопила оборудована системой облегчённого запуска двигателя Easy Start.При запуске двигателя ПЛАВНО потянуть за ручку стартера, механизм стартера произведет запуск двигателя.

Запуск холодного двигателя

- ВКЛЮЧИТЕ тормоз цепи, толкнув защитный щиток вперед.
- Переведите выключатель зажигания в верхнее положение («Старт»).
- Полностью выдвиньте ручку воздушной заслонки.
- Нажмите праймер 4-6 раз до появления топлива в подкачивающем насосе.
- Несколько раз дерните за ручку стартера,пока не услышите первые звуки запуска двигателя.
- Верните рукоятку воздушной заслонки в исходное положение.
- Снова дерните за ручку стартера.
- После запуска двигателя слегка нажмите на рычаг дросселя. Дроссельная заслонка отпустится, двигатель перейдет в режим холостого хода.
- Сразу же потяните защитный щиток к

себе (тормоз цепи ВЫКЛЮЧЕН).

Запуск прогретого двигателя

- Переведите выключатель зажигания в верхнее положение.
- Используйте ту же процедуру, что и при запуске холодного двигателя, однако не вытягивайте рукоятку воздушной заслонки и не прокачивайте праймер топливной смеси.

Остановка двигателя

- Отпустите рычаг дросселя и дайте поработать двигателю на холостом ходу.
- Переведите выключатель зажигания в нижнее положение («Стоп»).

Техобслуживание и сервис

Техобслуживание и очистка

При всех операциях по техническому обслуживанию следует выключить двигатель и снять со свечи наконечник провода высокого напряжения!

Воздушный фильтр:

Отверните крепежный элемент крышки воздушного фильтра и удалите крышку. Выньте фильтр и удалите опилки щеткой. Если фильтр забился опилками, разделите его на две части и промойте в бензине. Если вы используете сжатый воздух,подавайте его изнутри фильтра.

Цилиндр:

Скопление пыли (опилок) между ребрами цилиндра может вызвать перегрев двигателя. Периодически проверяйте и очищайте ребра цилиндра,предварительно сняв воздушный фильтр и крышку цилиндра. Всегда закрывайте воздухозаборный проем при чистке цилиндра.

Топливный фильтр:

- При помощи крючка из проволоки выньте фильтр из горловины бака.
- Разберите и промойте фильтр в бензине,в случае необходимости замените его.Сняв фильтр, закройте зажимом конец всасывающей трубки. Во время установки фильтра обратите внимание на то, чтобы грязь не попала во всасывающую трубку.

Свеча:

Очистите электроды металлической щеткой и при необходимости доведите расстояние между ними до 0,65 мм.

Звездочка ведущая:

Проверьте ее на предмет повреждения или износа. Если она повреждена или изношена, замените ее. Не ставьте новую цепь на изношенную ведущую звездочку и наоборот.

рот.

Смазочное отверстие:

Удалите шину и убедитесь, что смазочные каналы не засорены.

Транспортировка и хранение

Хранение бензопилы допускается в любом чистом, сухом помещении, при предотвращении возможности попадания на изделие агрессивных веществ и прямого солнечного света, при температуре воздуха от 0°C до +40°C и влажности воздуха до 80%. Не допускается хранение пилы вблизи открытого огня. Изделие должно храниться в заводской упаковке.

Перед продолжительным сроком хранения пилы (30 дней и более):

1. Полностью слейте топливо из бака и потяните рукоятку стартера 3-4 раза, чтобы удалить топливо из карбюратора.
2. Переведите выключатель в положение «О».
3. Удалите излишки смазки, масла, опилок и загрязнений с поверхности пилы.
4. Выполните все требуемые плановые процедуры и смазку.
5. Затяните все винты и крепления.
6. Снимите свечу зажигания и залейте в цилиндр 10 мл свежего и чистого машинного масла для двухтактных двигателей. Закройте свечное отверстие чистой тканью. Потяните ручку стартера 2 или 3 раза, чтобы распределить масло внутри цилиндра.
7. Установите свечу зажигания (не присоединяя кабель зажигания).
8. Закройте пыльную шину и цепь защитным кожухом перед хранением.

При погрузке и транспортировке следует полностью исключить возможность механических повреждений и самопроизвольных перемещений изделия.

Транспортировку бензопилы производить с зачехленной пыльной шиной или без пыльной цепи и шины.

Утилизация

Отслужившие свой срок электроинструменты, принадлежности и упаковку следует сдавать на экологически чистую переработку отходов.

Утилизируйте электроинструмент отдельно от бытового мусора!

Расшифровка Даты Изготовления Изделия

№.

1	7	0	7	3	0	0	3	9	5
---	---	---	---	---	---	---	---	---	---

год месяц день

Дата изготовления изделия зашифрована в серийном номере, напечатанном на корпусе инструмента. Первые 2 цифры обозначают год выпуска, следующие 2 цифры – месяц и следующие 2 цифры – день.

УСЛОВИЯ ГАРАНТИЙНОГО ОБСЛУЖИВАНИЯ

1. Настоящее гарантийное свидетельство является единственным документом, подтверждающим ваше право на бесплатное гарантийное обслуживание. Без предъявления данного свидетельства претензии не принимаются. В случае утери или порчи гарантийное свидетельство не восстанавливается.

2. Гарантийный срок составляет 12 месяцев со дня продажи, в течение гарантийного срока сервисная служба бесплатно устраняет производственные дефекты и производит замену деталей, вышедших из строя по вине изготовителя. На период гарантийного ремонта эквивалентный исправный инструмент не предоставляется. Заменяемые детали переходят в собственность служб сервиса. Производитель не несет ответственности за вред, который может быть причинен при работе с инструментом.

3. В гарантийный ремонт инструмент принимается в чистом виде, при обязательном наличии надлежащим образом оформленных документов: настоящего гарантийного свидетельства, гарантийного талона, с полностью заполненными полями, штампом торговой организации и подписью покупателя.

4. Гарантийный ремонт не производится в следующих случаях:

- при отсутствии гарантийного свидетельства и гарантийного талона или неправильном их оформлении;
- если гарантийное свидетельство или талон не принадлежат данному инструменту или не соответствует установленному поставщиком образцу;
- по истечении срока гарантии;
- при попытках самостоятельного вскрытия или ремонта инструмента вне гарантийной мастерской;

-внесения конструктивных изменений инструмента в гарантийный период, о чем свидетельствуют, например, заломы на шлицевых частях крепежа корпусных деталей.

-при использовании инструмента в производственных или иных целях, связанных с получением прибыли, а также

-при возникновении неисправностей связанных с нестабильностью параметров электросети, превышающих нормы, установленные ГОСТ;

-при неправильной эксплуатации (использование инструмента не по назначению, установки на инструмент не предназначенного заводом-изготовителем насадок, дополнительных приспособлений и т.п.;

-при механических повреждениях корпуса, сетевого шнура и при повреждениях, вызванных воздействиями агрессивных средств и высоких и низких температур, попадании инородных предметов в вентиляционные решетки инструмента, а также при повреждениях, наступивших в результате неправильного хранения (коррозия металлических частей);

-при естественном износе деталей инструмента, в результате длительной эксплуатации (определяется по признакам полной или частичной выработки ресурса, сильного загрязнения, ржавчины снаружи и внутри инструмента, отработанной смазки в редукторе);

-использование инструмента не по назначению, указанному в инструкции по эксплуатации.

-при механических повреждениях инструмента;

-при возникновении повреждений в связи с несоблюдением предусмотренных инструкцией условий эксплуатации (см. главу "Общие меры безопасности" в инструкции).

-повреждение изделия вследствие несоблюдения правил хранения и транспортировки.

Профилактическое обслуживание инструмента (чистка, промывка, смазка, замена пыльников, поршневых и уплотнительных колец) в гарантийный период является платной услугой.

Срок службы изделия установлен производителем и составляет 2 года со дня изготовления.

О возможных нарушениях, изложенных выше условий гарантийного обслуживания, владельцу сообщается после проведения

диагностики в сервисном центре.

Владелец инструмента доверяет проведение диагностики в сервисном центре в свое отсутствие.

Запрещается эксплуатация электроинструмента при проявлении признаков повышенного нагрева, искрения, а также шума в редукторной части. Для выяснения причин неисправности покупателю следует обратиться в гарантийную мастерскую.

Неисправности, вызванные несвоевременной заменой угольных щеток двигателя, устраняются за счет покупателя.

5. Гарантия не распространяется на:

– на неисправности, явившиеся следствием не устранения первоначальной неисправности;

– на изделия, у которых удален, неразборчив или изменен серийный номер, а также серийный номер не совпадает с серийным номером, указанным в гарантийном талоне;

– на расходные и быстроизнашивающиеся части, вышедшие из строя вследствие нормального износа. Например: цепи, шины, свечи, звездочки, фильтры, детали стартера, лента тормоза, пружина сцепления, элементы крепления и натяжения шины и т.д.. Также детали, срок службы которых зависит от регулярного технического обслуживания;

– на все виды работ, выполняемые при периодическом техническом обслуживании (регулировки, чистка, замена расходных материалов и др.);

– на неисправности, возникшие в результате нарушения требований и правил эксплуатации, установленным паспортом изделия. Например: перегрев изделия, несоблюдение требований к составу и качеству топливной смеси, повлекших выход из строя поршневой группы (безусловным признаком этого является залегание поршневого кольца и/или наличие царапин и потертостей на внутренней поверхности цилиндра и поверхности поршня, разрушение или оплавление опорных подшипников шатуна и поршневого пальца);

– на внешние и внутренние загрязнения, царапины, трещины, повреждения, возникшие в процессе эксплуатации или транспортировки.

P.I.T. WARRANTY CERTIFICATE

Product Name _____

Product Serial Number

Charger Serial Number

Sale Date _____

Trade Organization Name _____



Dear customer!

Thank you for purchasing the P.I.T. tool, and we hope that you will be satisfied with your choice. In the process of manufacturing the P.I.T. tools pass multilevel quality control, if nevertheless your product will need maintenance, please contact the authorized P.I.T. service centers.

Attention!

When buying, ask a seller to check the completeness and operability of the tool, to fill out the Warranty Certificate, the Warranty Card (the boxes shall be filled out by a seller) and to affix the seal of the trade organization in the Guarantee Certificate and the Warranty Card.

Warranty

By this Warranty Certificate, P.I.T. company guarantees the absence of defects of the production nature.

In the event any of the above defects are detected during the warranty period, the specialized P.I.T. service centers shall repair the product and replace the defective spare parts free of charge.

The warranty period for P.I.T. electric machines is 12 months from the date of sale.

“The warranty maintenance terms acknowledged and accepted. The operability and completeness of the product are checked in my presence. No claims on quality and appearance.”

Buyer's Signature _____ Surname (legibly) _____

Phone _____

ГАРАНТИЙНОЕ СВИДЕТЕЛЬСТВО НА ИНСТРУМЕНТ P.I.T.

Наименование изделия _____

Серийный номер изделия □□□□□□□□□□

Серийный номер зарядного устройства □□□□□□□□□□

Дата продажи « ____ » _____

Наименование торговой организации _____

Уважаемый покупатель!

М.П.

Благодарим Вас за покупку инструмента P.I.T. и надеемся, что Вы останетесь довольны своим выбором.

При необходимости обслуживания Вашего изделия обращайтесь в авторизованные сервисные центры P.I.T. Все сервисные центры представлены на сайте www.pittools.ru

Внимание!

При покупке требуйте у продавца проверки работоспособности инструмента и его комплектности, а также заполнения гарантийного свидетельства, гарантийного талона (графы «Заполняются продавцом») и простановки печати торговой организации в гарантийном свидетельстве и гарантийных талонах.

Гарантия

На основании данного гарантийного свидетельства компания P.I.T. гарантирует отсутствие дефектов производственного характера.

Если в течение гарантийного срока в Вашем изделии обнаружатся указанные дефекты, то специализированные сервисные центры P.I.T. бесплатно отремонтируют изделие и заменят дефектные запасные части.

Гарантийный срок на электроинструменты P.I.T. составляет 12 месяцев со дня продажи.

«С условиями гарантийного обслуживания ознакомлен(а). Работоспособность и комплектность изделия проверены в моем присутствии. Претензий к качеству и внешнему виду не имею».

Подпись покупателя _____ Фамилия (разборчи-
во) _____

Телефон _____

P.I.T. WARRANTY CARD

Name _____ Serial Number _____ Sale Date _____ 20__ Date of Receipt from Repair _____ 20__	P.I.T.		№ 1
	Name _____		Place of Seal
	Serial Number _____		
	Sale Date _____ 20__		
	(Filled out by a Seller)		
	WARRANTY REPAIR CARD		
	Date of Acceptance for Repair _____ 20__		
	Application for Repair _____		
	Customer _____		
	Phone (Address) _____		
Cause of Application _____			
Date of Receipt from Repair _____ 20__			
The Tool is checked in my presence _____			
(The Order shall be performed in a Service Center) (Signature)			

Name _____ Serial Number _____ Sale Date _____ 20__ Date of Receipt from Repair _____ 20__	P.I.T.		№ 2
	Name _____		Place of Seal
	Serial Number _____		
	Sale Date _____ 20__		
	(Filled out by a Seller)		
	WARRANTY REPAIR CARD		
	Date of Acceptance for Repair _____ 20__		
	Application for Repair _____		
	Customer _____		
	Phone (Address) _____		
Cause of Application _____			
Date of Receipt from Repair _____ 20__			
The Tool is checked in my presence _____			
(The Order shall be performed in a Service Center) (Signature)			

Name _____ Serial Number _____ Sale Date _____ 20__ Date of Receipt from Repair _____ 20__	P.I.T.		№ 3
	Name _____		Place of Seal
	Serial Number _____		
	Sale Date _____ 20__		
	(Filled out by a Seller)		
	WARRANTY REPAIR CARD		
	Date of Acceptance for Repair _____ 20__		
	Application for Repair _____		
	Customer _____		
	Phone (Address) _____		
Cause of Application _____			
Date of Receipt from Repair _____ 20__			
The Tool is checked in my presence _____			
(The Order shall be performed in a Service Center) (Signature)			

ГАРАНТИЙНЫЙ ТАЛОН P.I.T.

P.I.T.

Талон № 1

Наименование _____
 Серийный номер _____
 Дата продажи « ____ » _____ 20__ Place of Seal
 (Заполняется продавцом)
 КАРТА ГАРАНТИЙНОГО РЕМОНА
 Дата приема ремонт _____ 20__
 Заявка на ремонт _____
 Заказчик _____
 Телефон (адрес) _____
 Причина обращения _____
 Дата получения от ремонта _____ 20__
 Инструмент проверен в моем присутствии _____
 (Заказ заполняется в Сервисном Центре) (Подпись)

Наименование _____
 Серийный номер _____
 Дата продажи _____ 20__
 Дата получения от ремонта _____ 20__

P.I.T.

Талон № 2

Наименование _____
 Серийный номер _____
 Дата продажи « ____ » _____ 20__ Place of Seal
 (Заполняется продавцом)
 КАРТА ГАРАНТИЙНОГО РЕМОНА
 Дата приема ремонт _____ 20__
 Заявка на ремонт _____
 Заказчик _____
 Телефон (адрес) _____
 Причина обращения _____
 Дата получения от ремонта _____ 20__
 Инструмент проверен в моем присутствии _____
 (Заказ заполняется в Сервисном Центре) (Подпись)

Наименование _____
 Серийный номер _____
 Дата продажи _____ 20__
 Дата получения от ремонта _____ 20__

P.I.T.

Талон № 3

Наименование _____
 Серийный номер _____
 Дата продажи « ____ » _____ 20__ Place of Seal
 (Заполняется продавцом)
 КАРТА ГАРАНТИЙНОГО РЕМОНА
 Дата приема ремонт _____ 20__
 Заявка на ремонт _____
 Заказчик _____
 Телефон (адрес) _____
 Причина обращения _____
 Дата получения от ремонта _____ 20__
 Инструмент проверен в моем присутствии _____
 (Заказ заполняется в Сервисном Центре) (Подпись)

Наименование _____
 Серийный номер _____
 Дата продажи _____ 20__
 Дата получения от ремонта _____ 20__



www.pit-tools.com

P.I.T.

Поставщик / производитель: Xinjiang Longbo Industrial Co., Ltd./Синьцзян Лонгбо Индастриал Ко., Лтд.

Адрес производства: Rm. 602, 6th Floor, No. 531, Weixing Road, Economic And Technological Development Zone, Urumqi, Xinjiang, China / Оф.602, 6 этаж, №531, Вейшинг Роад, Экономик Энд Технолоджикал Девелопмент Зон, Урумчи, Синьцзян, Китай

Импортер/ организация, уполномоченная принимать претензии: ООО «Турбо-Тулс»

Юридический адрес: 117246, г. Москва, ул. Херсонская, 43 - 670

Вопросы и предложения направляйте по адресу: 614058, г. Пермь, ул. Фоминская, 36

Горячая линия по сервисному обслуживанию:



*** 2445**

Звонок с мобильного
бесплатный

info@pittools.ru

Сделано в КНР / Made in China

